



# Installation Manual

## VERTICAL CONFIGURATIONS

AIR COOLED ▾ CHILLERS REFRIGERATION  
DRY COOLERS ▾ UNITARY

### ECOMESH

Unit 32, Mere View Industrial Estate  
Yaxley, Cambridgeshire PE7 3HS UK

Tel +44 (0)1733 244224  
Fax +44 (0)1733 243344  
Email [info@ecomesh.eu](mailto:info@ecomesh.eu)  
[www.ecomesh.eu](http://www.ecomesh.eu)





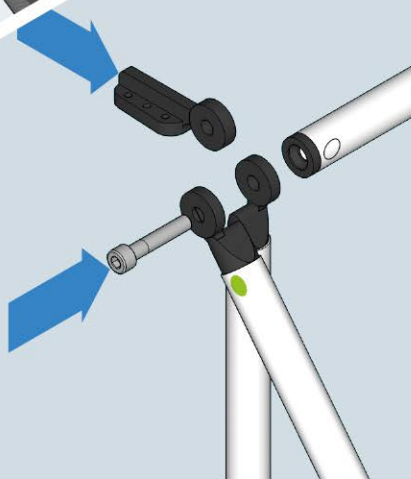
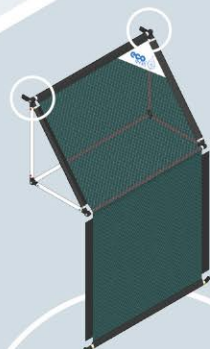
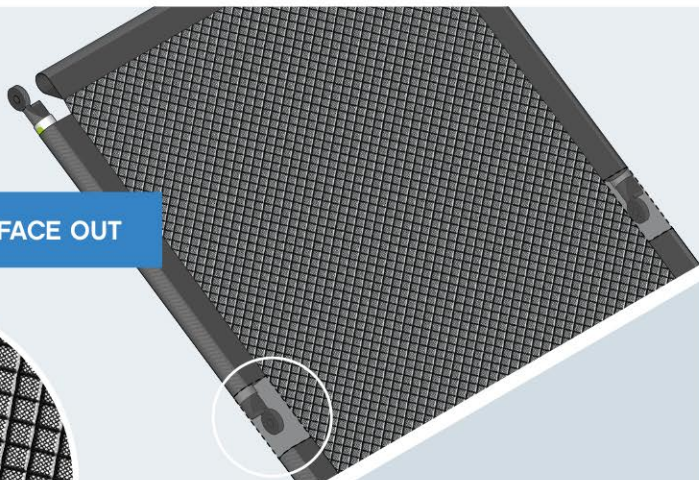
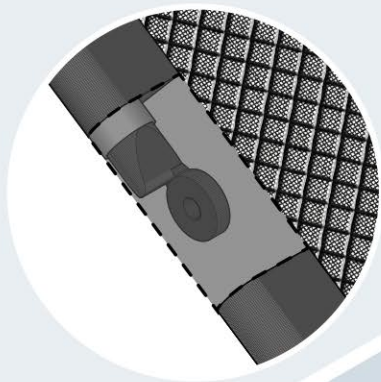




01



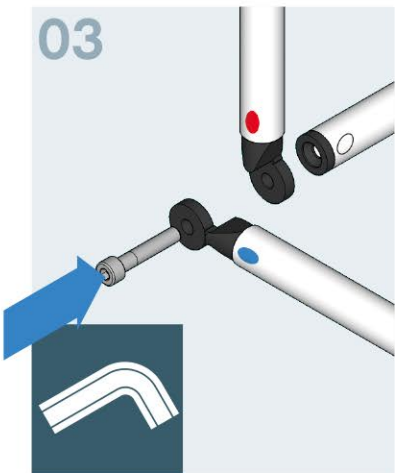
NOTE: LARGE MESH MUST FACE OUT



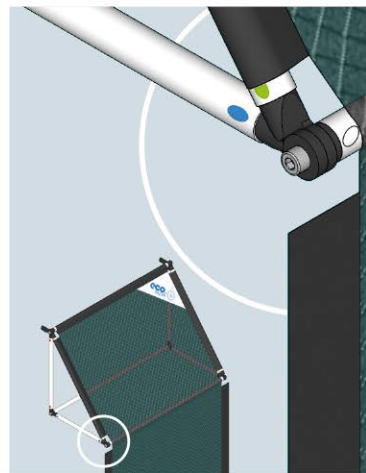
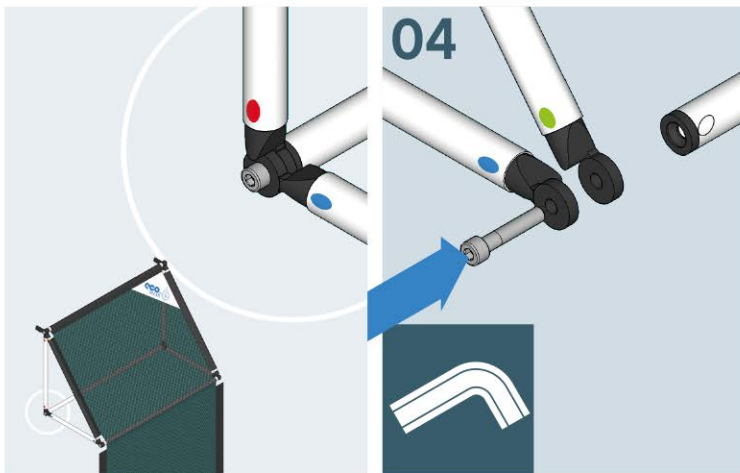
02



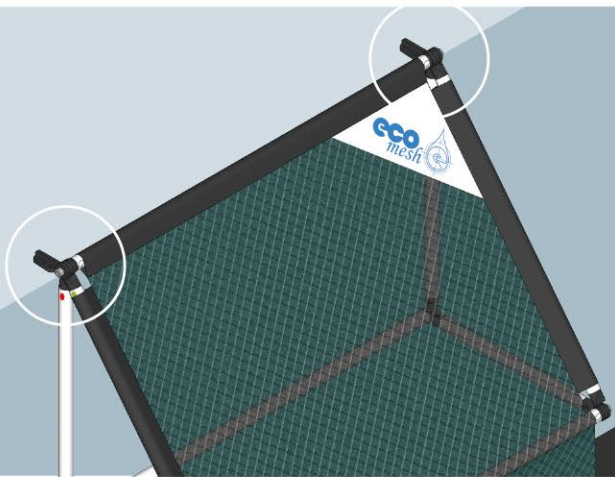
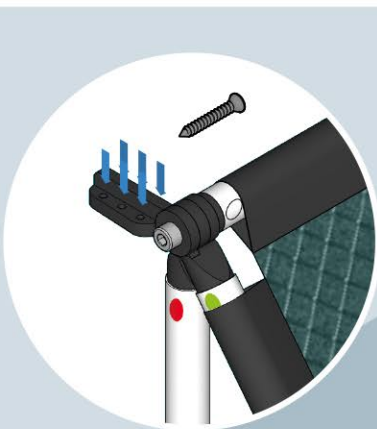
03



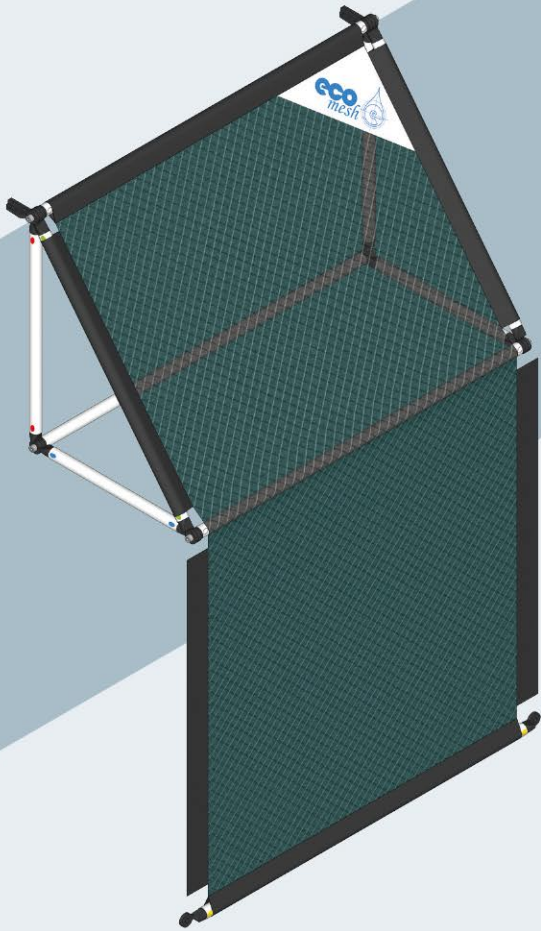
04



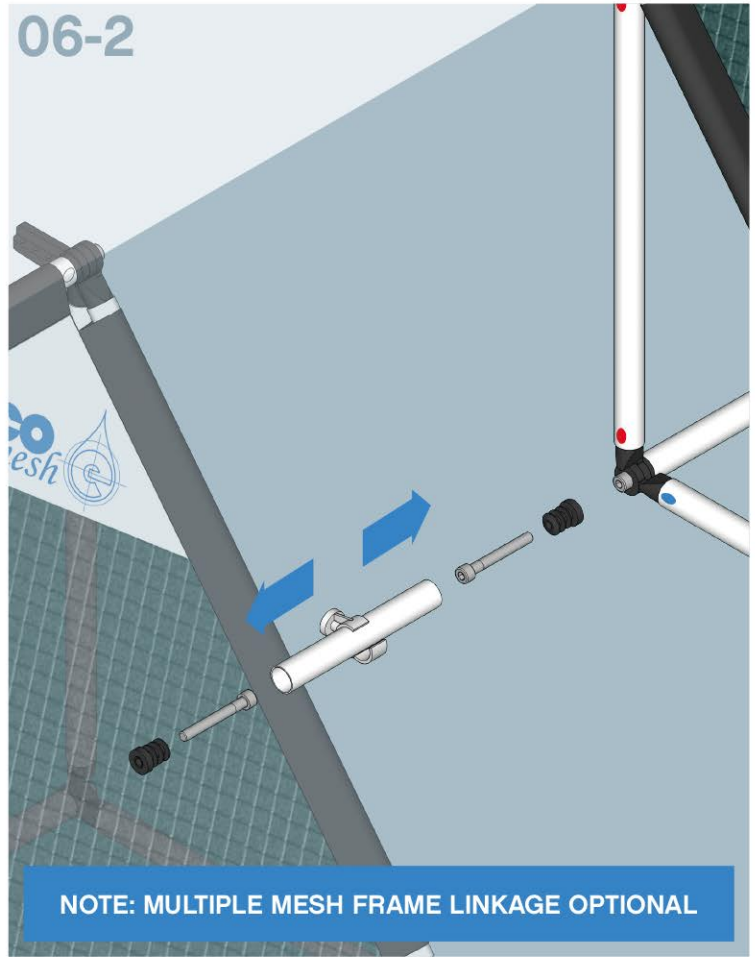
05



06



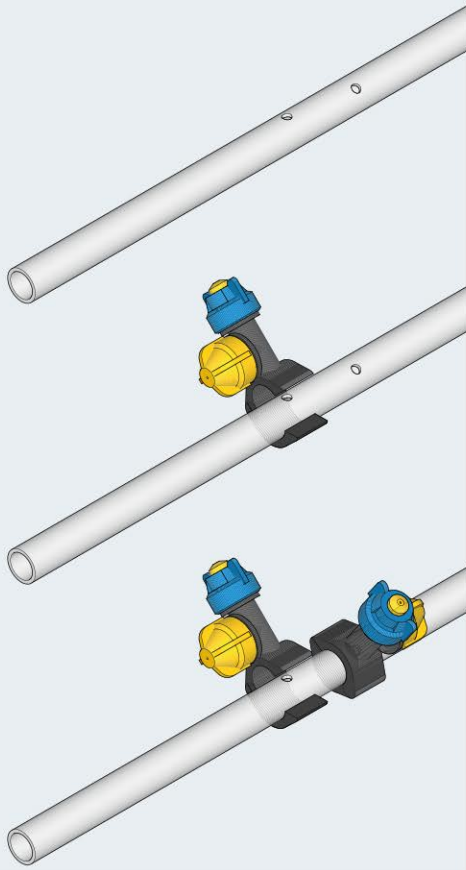
06-2



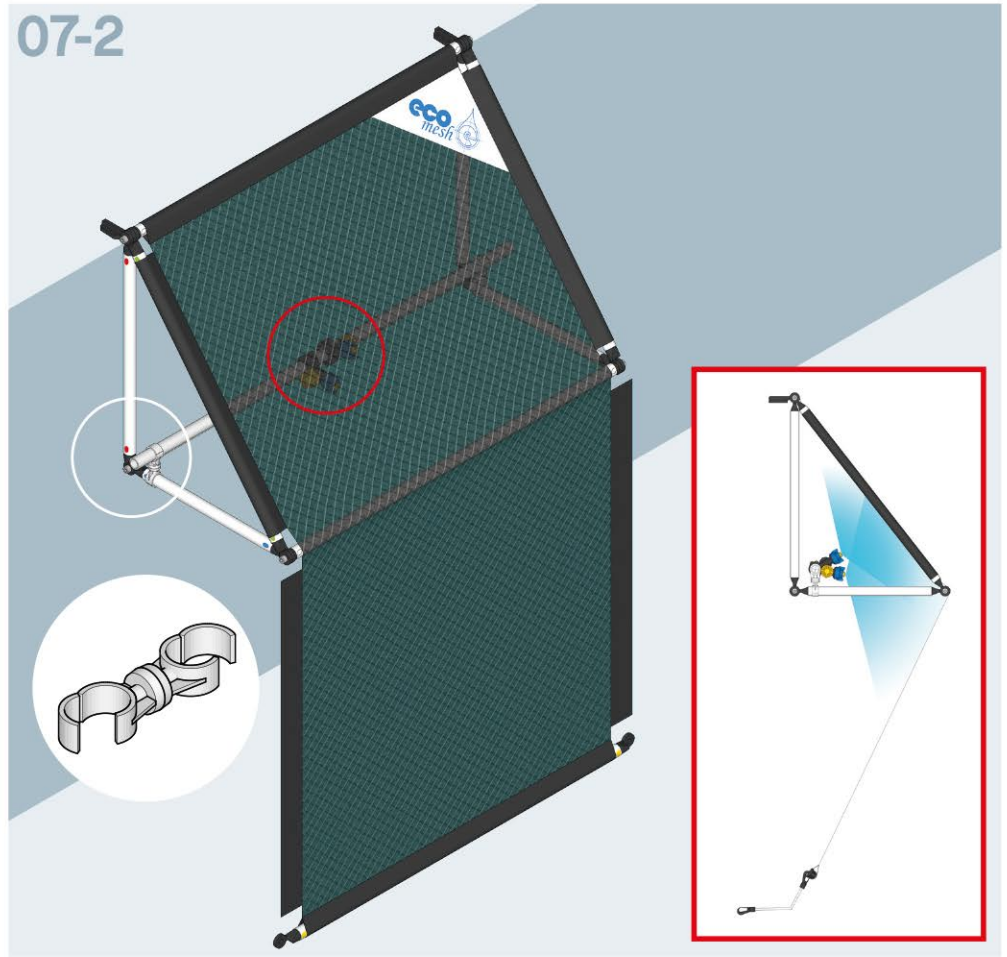
**NOTE: MULTIPLE MESH FRAME LINKAGE OPTIONAL**



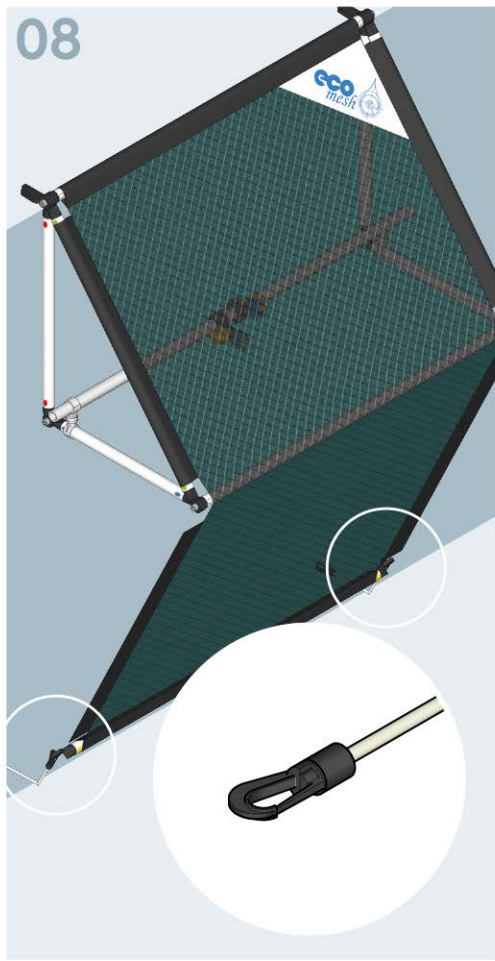
07



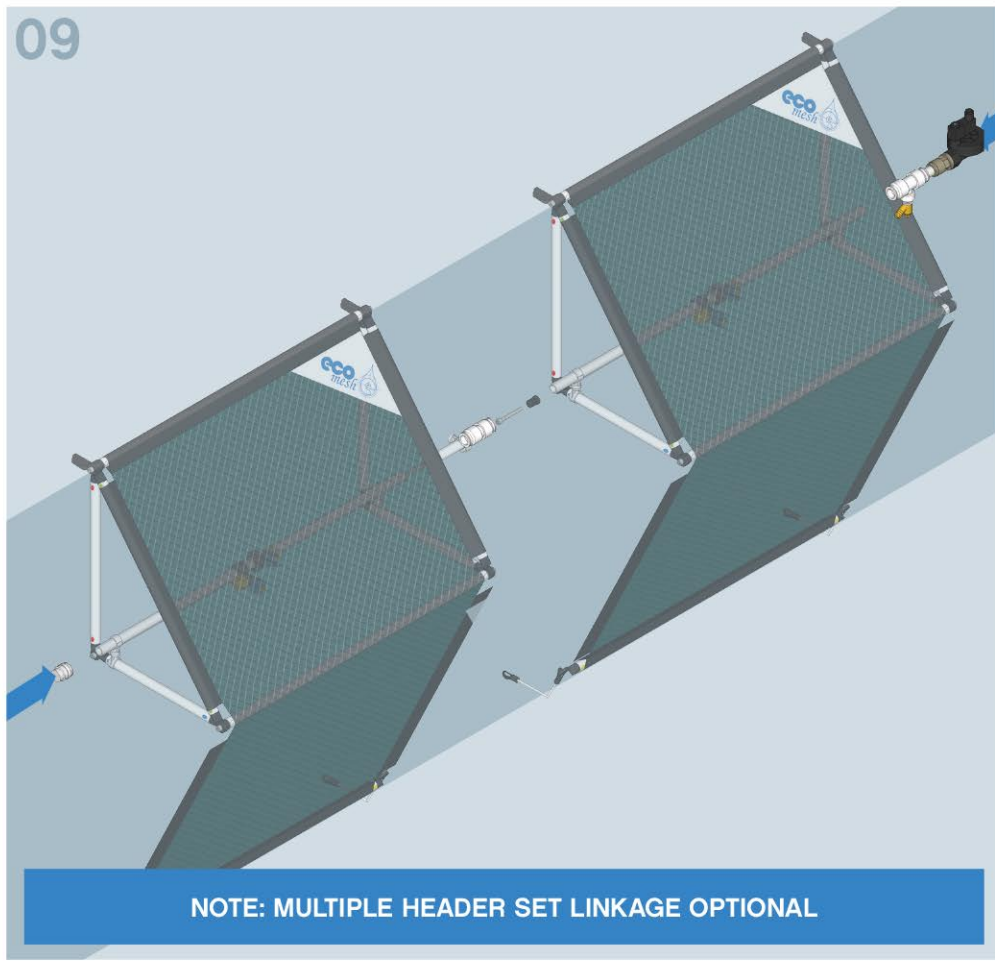
07-2



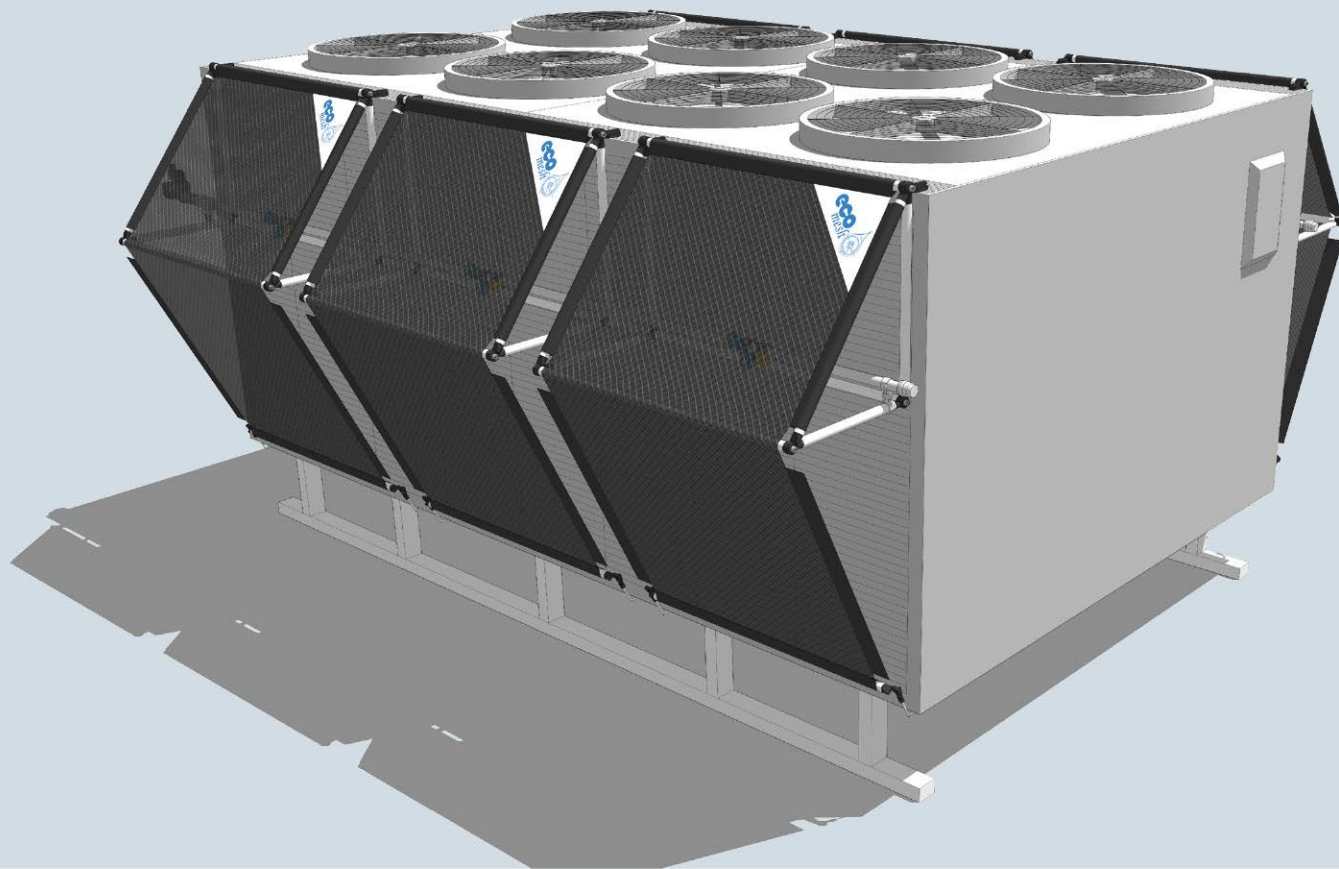
08



09



**NOTE: MULTIPLE HEADER SET LINKAGE OPTIONAL**



## ECOMESH

Unit 32, Mere View Industrial Estate  
Yaxley, Cambridgeshire PE7 3HS UK

Tel +44 (0)1733 244224  
Fax +44 (0)1733 243344  
Email [info@ecomesh.eu](mailto:info@ecomesh.eu)  
[www.ecomesh.eu](http://www.ecomesh.eu)

